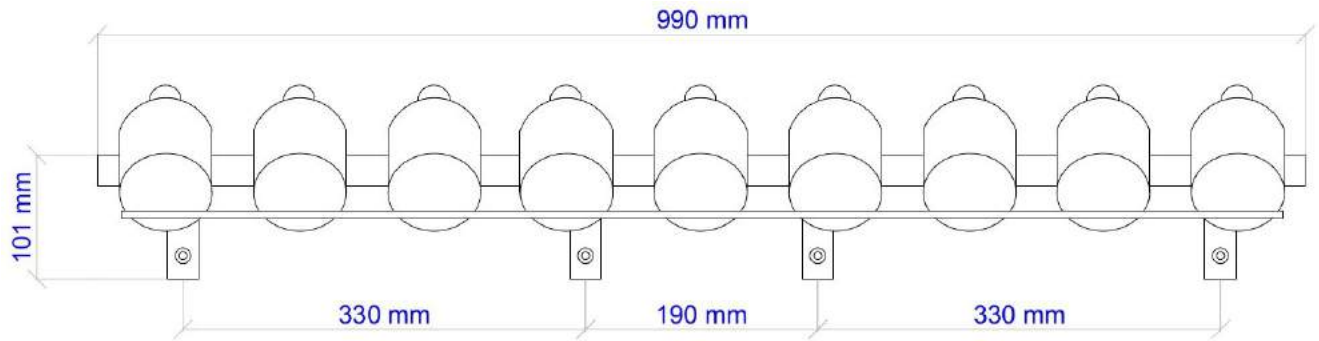


Wall Series - WS-PR Spec Sheet

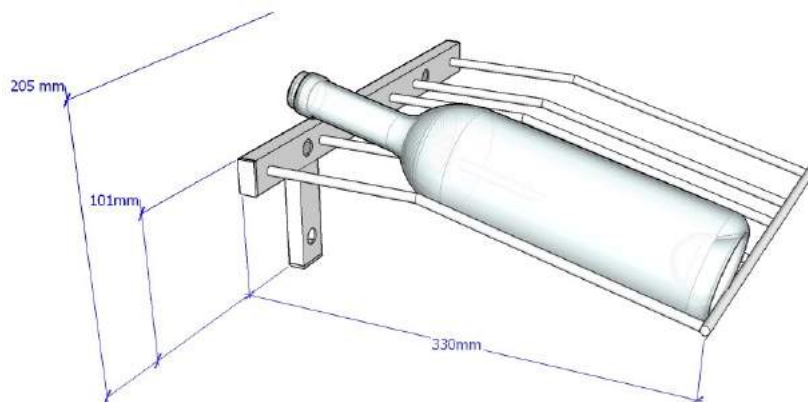
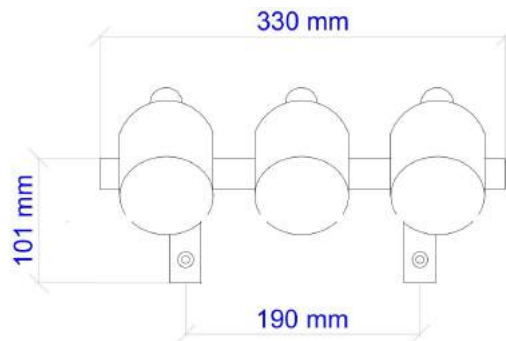
WS-PR - Presentation style wall mounted wine rack

Item	Height	Depth	Capacity	Width
WS-PR	} 205mm Minimum	} 330mm	9 bottles	990mm
WS-PR1C			3 bottles	330mm

WS-PR



WS-PR1C



The presentation style rack is available in 9 wide (990mm) or 3 wide (330mm) versions
 We recommend a minimum vertical spacing of 205mm per row when installing multiple racks
 Multiple units can be joined to create single display