

Vino Rails wood installation

Vino Rails (VR; no collars) Installation Instructions



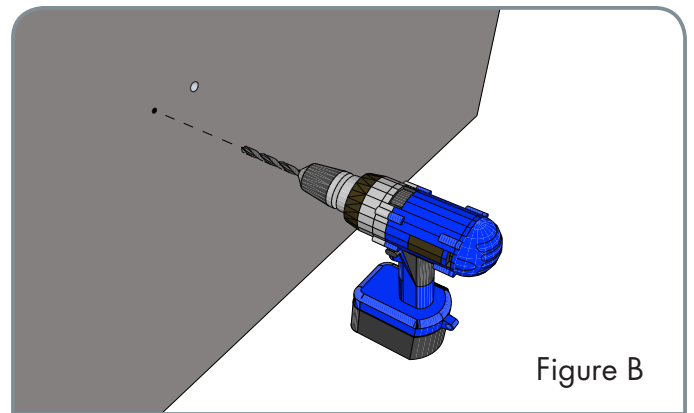
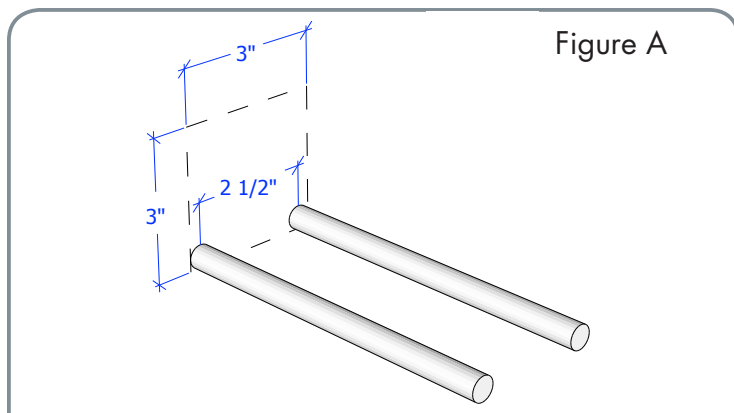
Starter Kit Included Parts

- (2) Vino Rails
- (1) Wood Lags
- (1) Hex Key or 2 Nuts

Required Tools

- Level
- 2x10mm or adjustable wrenches
- Drill
- 5/32" drill bit (4mm)

Important Note: These installation instructions are only for attaching Rails to solid wood or plywood surface with a minimum thickness of 1/2" (12.7mm).



1. Mark the mounting hole locations

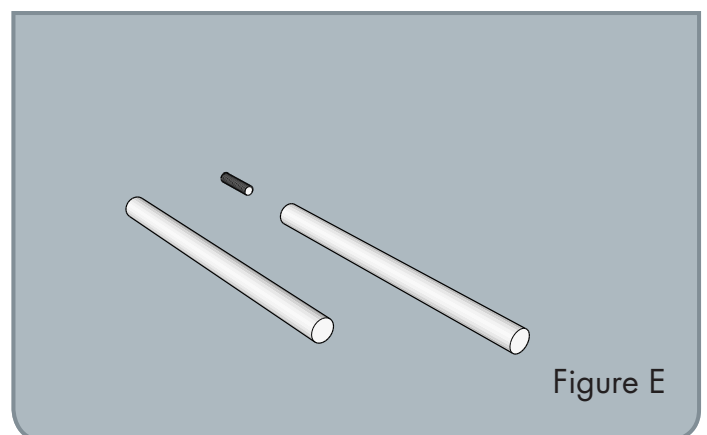
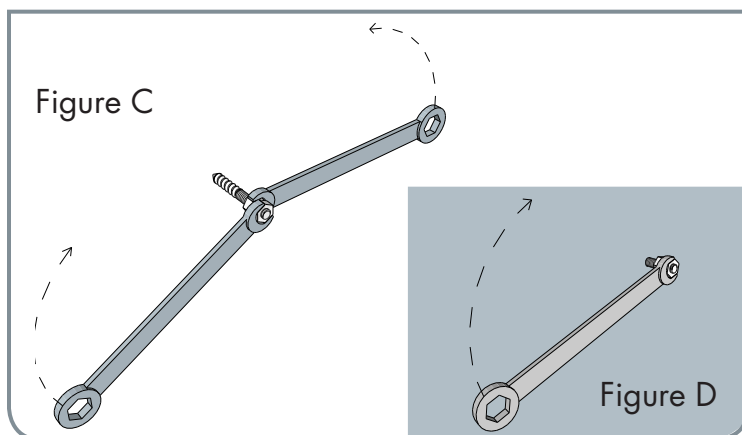
Mark the center-point of the first rail and, using the level to ensure the marks are on the same horizontal plane, marker the center-point of the second rail 2.5 inches (64.5mm) away.

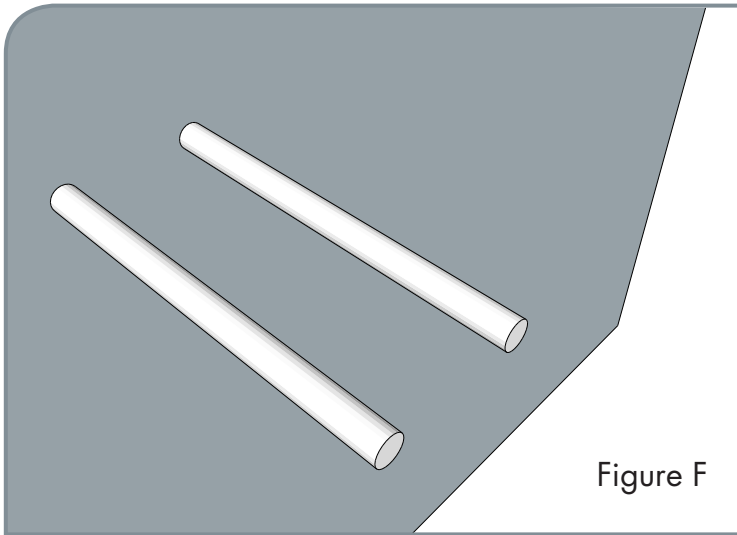
2a. Install the Wood Lag using M6 Drill Bit or Hex Key

Using either the provided hex key or optional M6 drill bit, drive the wood lag into the pilot holes until the coarse threads are no longer visual.

If using a hex key and the wood is too knotty or hard to drive the wood lag, see step 2b.

Pro tip: Go slowly and ensure the wood lags remain level and straight.





2b. Install the Wood Lag using Nuts

Thread the 2 nuts provided onto the fine threaded end of each wood lag. Using two 10mm wrenches, tighten the nuts against one another (Figure C), essentially creating a screw head. Then use one wrench on the outer nut and screw the wood lag into the pilot holes until the coarse threads are no longer visible.

3. Install Rails

Screw a Vino Rail Mag clockwise onto an anchor and firmly hand-tighten in place (Figure E). Repeat the process for the second Vino Rail.

4. Add Wine

Only the good stuff

Additional Notes:

All installations into drywall require the use of collars and alternate fasteners to properly support the Vino Rails. This specific design is meant to hold Champagne and Magnum bottles. Any application outside of these parameters is not warranted by VintageView and may result in product and/or installation failure, property damage and/or bodily injury.

Maintenance and Care:

Vino Rails should be regularly checked for tightness. Should any party to be found to be loose, tighten by hand until secure. If the face of the wall surface shows signs of breakage, discontinue use immediately until the wall may be adequately repaired. Vino Pins may be cleaned with a damp cloth and mild dish soap -abrasive pads or steel wool should NOT be used as they will damage the finished surfaces of the parts



Vino Rails drywall installation

Vino Rails (VRC; with collars) Installation Instructions



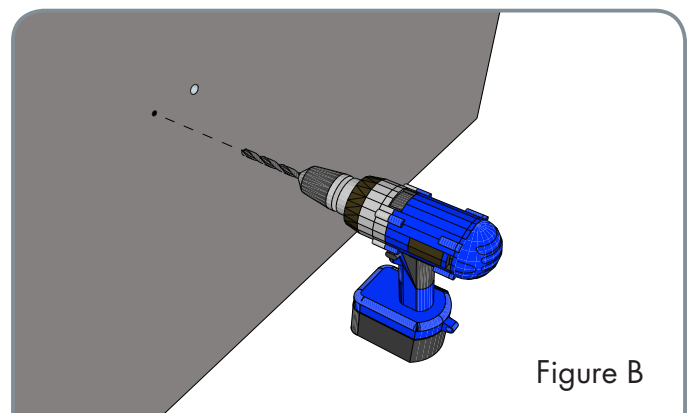
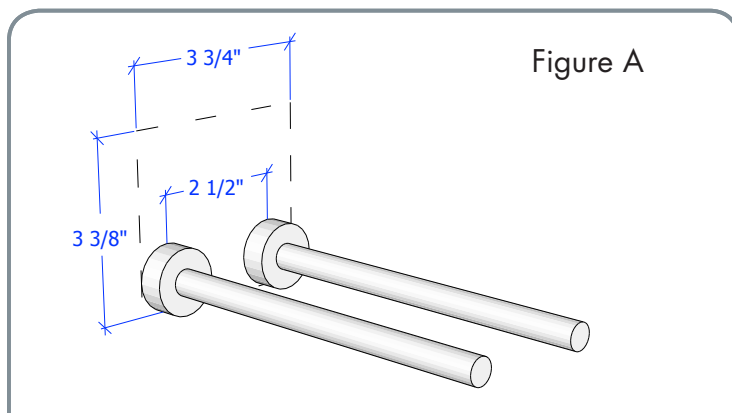
Starter Kit Included Parts

- (2) Vino Rails
- (2) Vino Rails Collars
- (2) Toggle Bolts
- (2) Machine/Lag Studs
- (1) Hex Key (2.5mm) or 2 Nuts

Required Tools

- Level
- 2x10mm or adjustable wrenches
- Drill
- 5/32" drill bit (4mm)

Important Note: These installation instructions are only for attaching Vino Rails to solid wood or plywood surface with a minimum thickness of 1/2" (12.7mm).

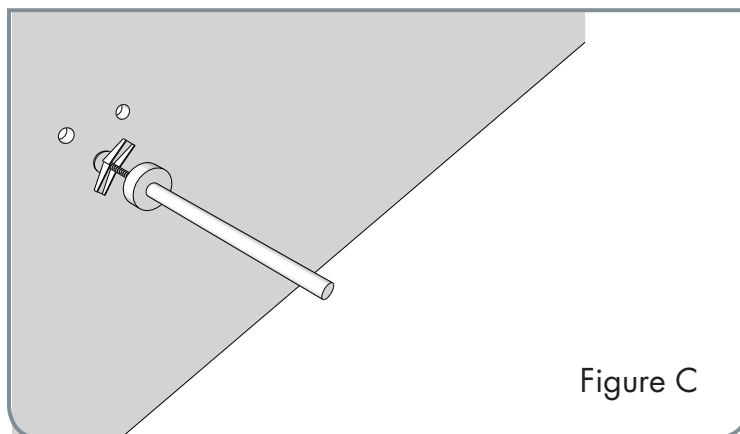


1. Mark the mounting hole locations

Mark the center-point of the first rail and, using the level to ensure the marks are on the same horizontal plane, marker the center-point of the second rail 2.5 inches (64.5mm) away.

2. Drill mounting holes

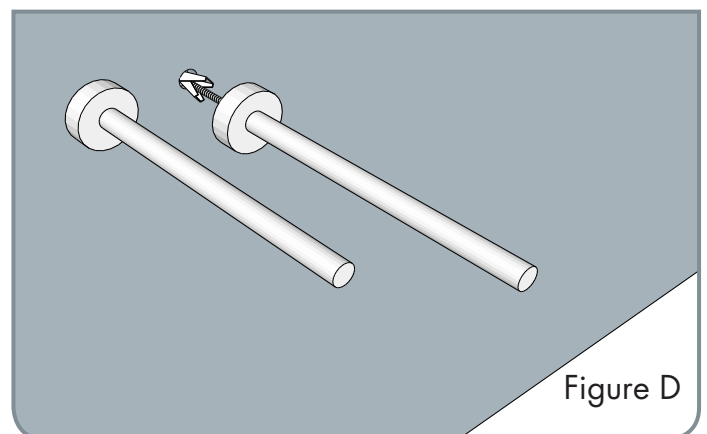
Using the smaller drill bit, drill a pilot hole to determine if drywall or wood hardware is needed for installation. If the surface is determined to be wood, drill remaining pilot holes at the marked locations and move to step 3b. If it is determined to be drywall, use the 5/8" drill bit to drill holes in marked locations



3a. Install Vino Rails (for drywall)

Disassemble provided toggle bolts, removing each expanding nut. Insert the bolt through the mounting hole on the wall bracket. With the wings of the expanding bolt oriented toward the bolt head, thread the nut onto the bolt until it begins to protrude from the nut by 1/2".

Slide the collar onto the bolt and the screw the bolt into the threaded end of the Vino Rail. Push the head of the bolt through the drywall until the Vino Rail Collar is flush against the wall surface. Ensure that both wings of the nut have fully expanded on the back side of the wall and gently pull back on the Vino Rail to hold the wings of the expanding nut against the back side of the drywall.





3a. Install Vino Rails (continued)

Center the bolt in the anchor hole and turn the Vino Rail clockwise to firmly hand-tighten in place. Repeat the process for the second rail and use a level to ensure they are both level.

3b. Install Vino Rails (for wood)

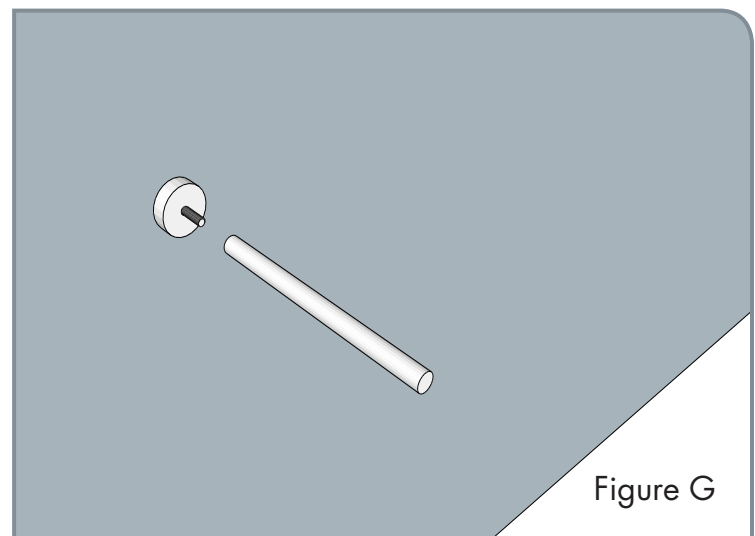
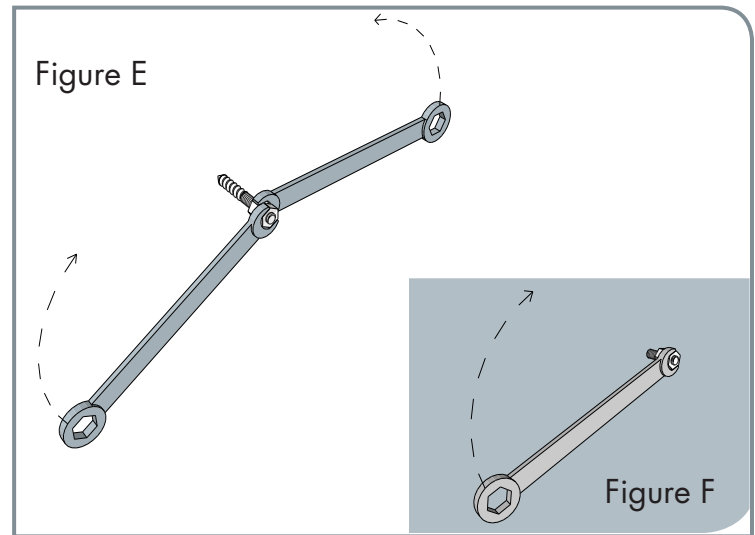
Using either the provided hex key or optional M6 drill bit, drive the wood lag into the pilot holes until the coarse threads are no longer visible. If using a hex key and the wood is too knotty or hard to drive the wood lag see the next step.

Thread the 2 nuts provided onto the fine threaded end of each wood lag. Using two 10mm wrenches, tighten the nuts against one another, essentially creating a screw head. Then use one wrench on the outer nut and screw the wood lag into the pilot holes until the coarse threads are no longer visible.

Slide a collar over the stud protruding from the wall and thread a Vino Rail onto the stud extending from the wall and firmly hand tighten.

4. Add Wine

Only the good stuff



Additional Notes:

All installations into drywall require the use of collars and alternate fasteners to properly support the Vino Rails. This specific design is meant to hold Champagne and Magnum bottles. Any application outside of these parameters is not warranted by VintageView and may result in product and/or installation failure, property damage and/or bodily injury.

Maintenance and Care:

Vino Rails should be regularly checked for tightness. Should any party to be found to be loose, tighten by hand until secure. If the face of the wall surface shows signs of breakage, discontinue use immediately until the wall may be adequately repaired. Vino Pins may be cleaned with a damp cloth and mild dish soap -abrasive pads or steel wool should NOT be used as they will damage the finished surfaces of the parts

