

Evolution Wine Wall Racking System

Installation instructions for all wall-mounted Wine Wall racks (SKUs- WW-)



Parts List

- (2 or more) Wine Wall Mounting Brackets
- (QTY varies) Evolution Wine Rods
- (2 per rod) Evolution Screws
- (1) 5mm Allen key
- (4 or 6) M6 Toggle Bolts
- (4 or 6) Wood screws

Required Tools

- Measuring tape
- Pencil
- 4' level
- Drill
- 5/8" Paddle drill bit
- 1/8" drill bit
- A handy friend

The Evolution Wine Wall Rack is a wall-mounted wine rack designed to be installed into drywall or hard wood surfaces with a minimum thickness of 1/2" (1.5cm). It can be extended, horizontally, using Evolution Wine Wall Extension Kits (sold separately). For concrete, brick or stucco surfaces, use a 3/16" x 1-1/4" masonry screw or #8 x 1-1/4" screw with appropriate size expanding concrete anchor (not included).

If using an Wine Wall Post System to mount in a floor-to-ceiling application, reference instructions included with Post sections.

STEP 1: PLOT MOUNTING LOCATIONS

Position one Wine Wall Mounting Bracket in place on the wall with a minimum of 3" (8cm) from any obstruction (if clearance not available, see Page 4 Wall-to-Wall Installations). Insure it is is plumb with a level, and mark all mounting locations (Figure A).

Determine the Centerline distance (mounting hole location to mounting hole location) for the next Mounting Bracket by adding 3/16" (0.5cm) to the selected length of Wine Rods (chart below).

Starting from the first Bracket's top mounting hole — and using a level — measure and mark the Mounting Hole location of the next Mounting Bracket. Repeat for additional Mounting Hole locations.

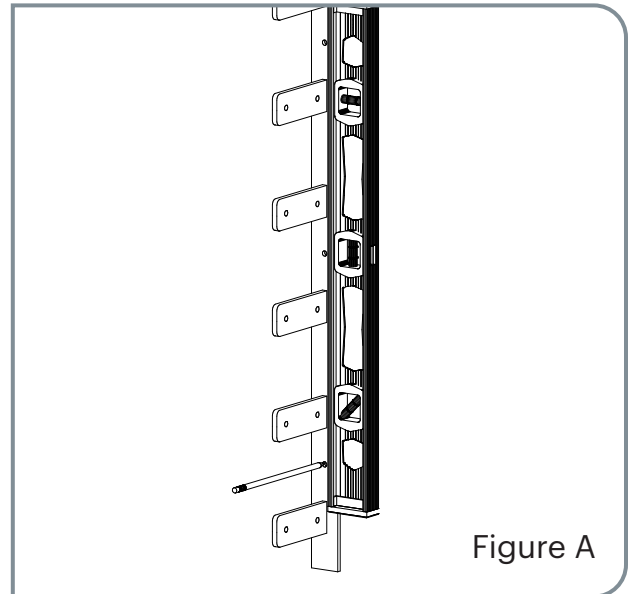


Figure A

Wine Wall Column Centerline Spacing

Wine Rod Model	Wine Rod Width	Centerline Measurement
1 Column (-1C)	13"	13-3/16" (33.5cm)
2 Columns (-2C)	26"	26-3/16" (66.5cm)
3 Columns	39-3/8"	39-9/16" (100.5cm)
Custom	custom	add 3/16" (0.5cm)



STEP 2: DRILL MOUNTING HOLES

Drill a pilot hole with 1/8" drill bit to determine if drywall or wood hardware is needed for installation.

If the surface is determined to be wood, drill remaining pilot holes at the marked locations and move to Step 3.

If it is determined to be drywall, use the 5/8" paddle drill bit to drill holes in marked locations.

STEP 3: INSTALL MOUNTING BRACKETS

Skip TO PAGE 4 for Wall-to-Wall instructions

Drywall Surfaces:

Disassemble toggle bolt, removing expanding nut. Insert the bolt through the first mounting hole of a Mounting Bracket (Figure B). With the wings of the expanding bolt oriented to fold toward the head of the bolt, thread the expanding nut on until the bolt begins to protrude from the nut by 1/2" (1.25cm); repeat for remaining mounting holes.

Close the wings of the expansion nut and gently push through the drywall until the wings open behind the drywall; repeat for all mounting points then tighten the bolts.

Do not fully tight to allow for adjustability during assembly.

Wood Surfaces:

Drive the wood screw through the first mounting hole; repeat for remaining mounting holes, ensuring the bracket remains level.

Do not fully tight to allow for adjustability during assembly.

STEP 4: ATTACH WINE RODS

Insert one Evolution Screw through the support fin on the first Mounting Bracket (Figure C). Thread one Wine Rod onto the Screw and fully tighten. Repeat for all support fins on first Bracket (Figure D). Repeat Step 3 to install the next Mounting Bracket (Figure E).

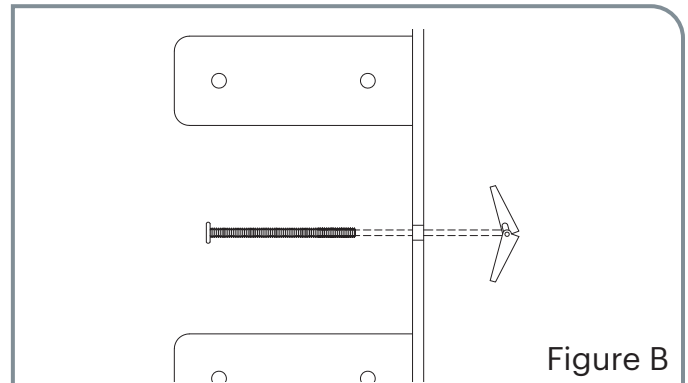


Figure B

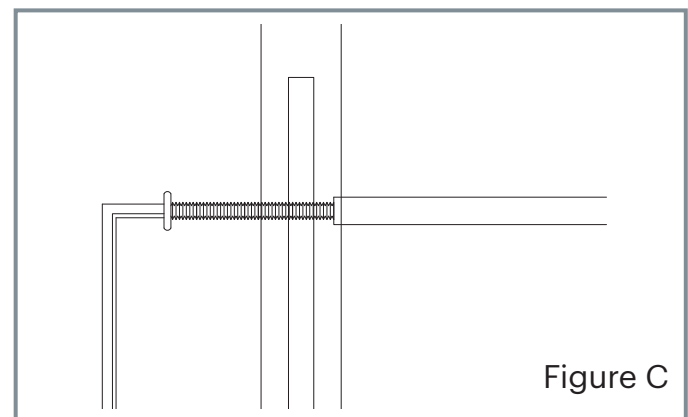


Figure C

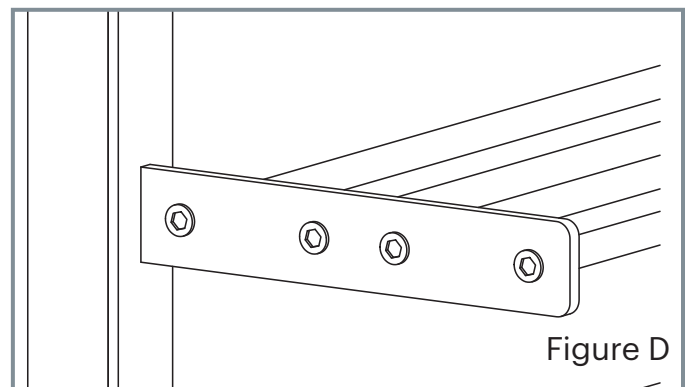


Figure D

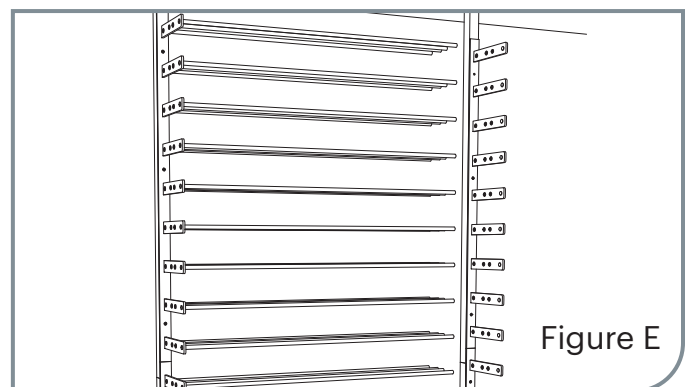


Figure E





STEP 5: CONNECT WINE RODS Single-Column Installations

Insert one Evolution Screw through one assembly hole location on the opposite Wine Wall Mounting Bracket. Thread one Evolution Wine Rod onto the Evolution Screw and fully tighten with provided 5mm allen key (Figure F). Repeat for all Wine Rods.

If project includes only one column of wine racking, skip to Step 8.

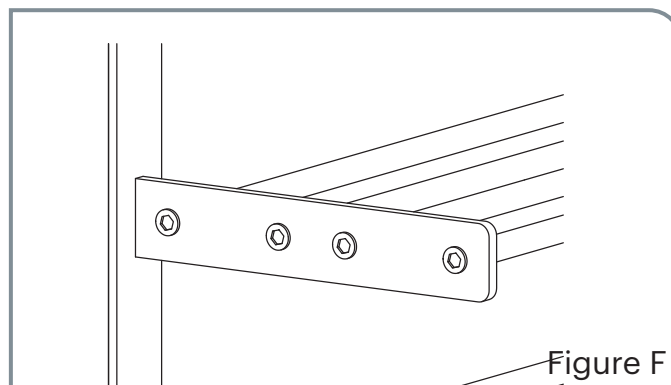


Figure F

Multi Column Installations

Fasten one Wine Rods to the Wine Wall Mounting Brackets using Evolution Studs (Figure G). Half of the Stud will protrude out to start your next column (Figure H). Repeat with all other Wine Rods until first Wine Wall Post column is fully assembled.

Proceed to next step.

OPTIONAL STEPS FOR MULTI COLUMN DISPLAYS

STEP 6: INSTALL NEXT BRACKET

Repeat Steps 1-3 to layout and install the next Mounting Bracket (Figure H).

STEP 7. CONNECT WINE RODS

If final column

Insert one Evolution Screw through one assembly hole location on the Wine Wall Mounting Bracket. Thread one Evolution Rod onto the Evolution Screw and fully tighten with provided 5mm allen key.

If adding more columns

Fasten one Wine Rods to the Wine Wall Mounting Brackets using Evolution Studs. Half of the Stud will protrude out to start your next column. Repeat with all other Wine Rods until first Wine Wall Post column is fully assembled. Repeat steps 6-7 for as many columns of racking desired.

STEP 8: FIRMLY TIGHTEN

Ensuring that all Wine Rods are level, firmly tighten all Mounting Screws (drywall or wood).

STEP 9: ADD WINE

Preferably the good stuff.

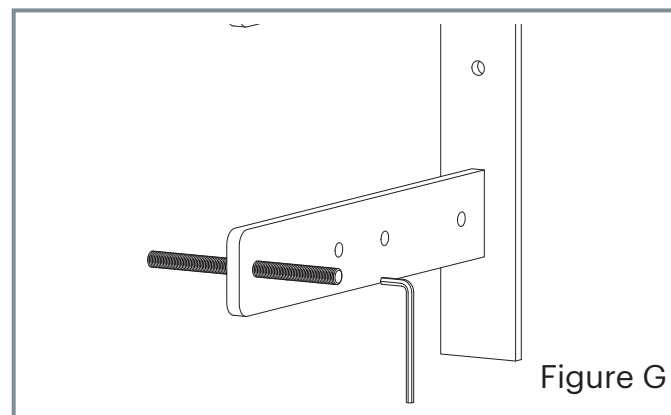


Figure G

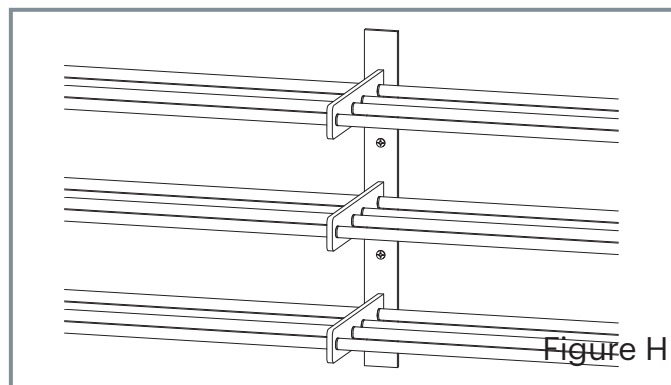


Figure H

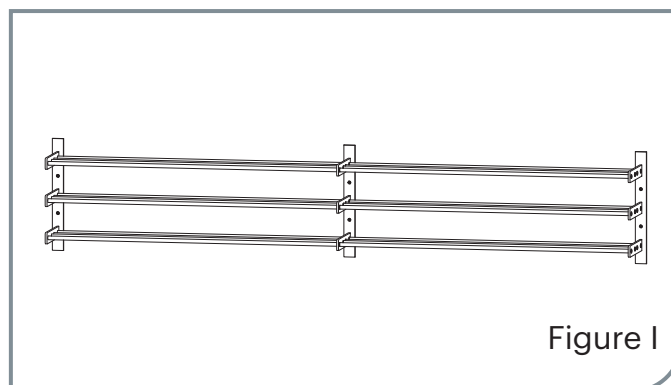


Figure I





WALL TO WALL INSTALLATIONS

When 3" (8cm) clearance is not available on either end of the installation, the complete Wine Wall display must be built on the ground and lifted into place to be installed on the wall.

VintageView does not recommend this for Wine Wall assemblies that contain Extensions as the racking becomes too difficult to lift into place.

Replace steps 3-8 with the following steps:

STEP 3: BUILD THE WINE WALL

Insert one Evolution Screw through the support fin on the Wall Bracket. Thread one Evolution Rod onto the Evolution Screw and fully tighten with provided 5mm allen key. Repeat for all support fins on both Wall Brackets.

STEP 4: MOUNT WINE WALL

Drywall Surfaces:

Disassemble provided toggle bolts, removing each expanding nut. Insert the bolt through the mounting hole on the wall bracket. With the wings of the expanding bolt oriented toward the bolt head, thread the nut onto the bolt until it begins to protrude from the nut by 1/2" (1.25cm). Repeat for remaining mounting holes.

Close the wings of the expanding nuts and gently push through the drywall hole until the wings open behind the drywall. Repeat for all mounting points then tighten the bolt using care to not over-tighten and to maintain level for the unit.

Wood Surfaces:

With the assembled Wine Wall held in final mounting position. use provided wood screws to fasten the Wall Brackets to the wall. Be sure to check the unit remains plumb using a level.

Maintenance and Care:

The Evolution Wine Wall is covered by a lifetime warranty against factory defects.

Wine Wall components should be regularly checked for tightness. Should any piece be found to be loose, tighten by hand (Rods) or screwdriver (Mounting Bracket) until secure.

The Evolution Wine Wall may be cleaned with a dry cloth or compressed air. Use rubbing alcohol for stubborn stains or marks. Avoid household cleaners, chemicals, abrasive pads or steel wool as they will damage the finished surfaces of the parts.

Learn more at vintageview.com/warranty

